



A part of **COOPER** Crouse-Hinds

3413 North Sam Houston Parkway W  
 Suite 206 / 210  
 Houston TX 77086  
 Phone: 281.571.8065  
 FAX: 281.571.8069

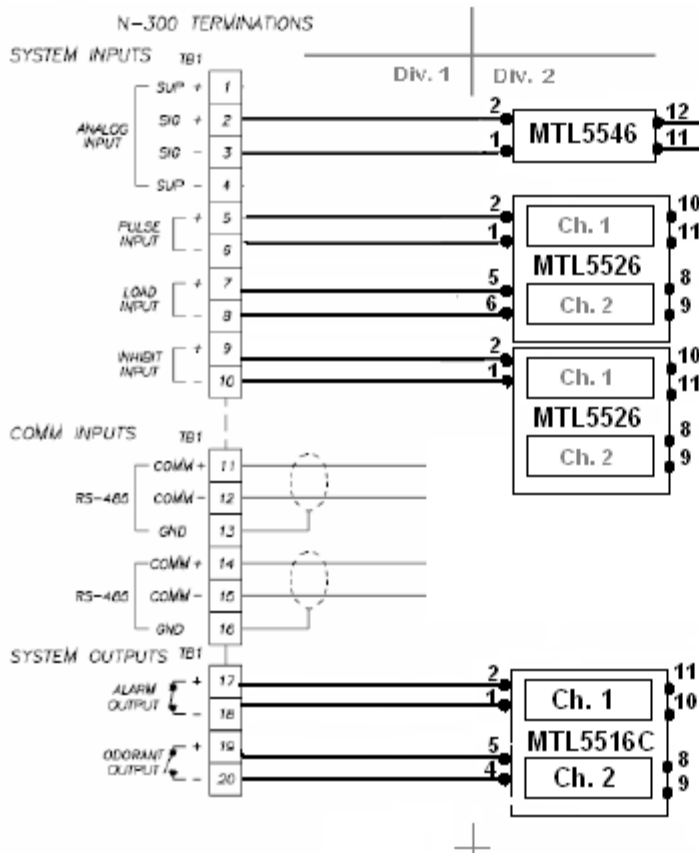
General email: [csinfo@mtl-inst.com](mailto:csinfo@mtl-inst.com)  
 Support: [MTLTechnicalSupport@cooperindustries.com](mailto:MTLTechnicalSupport@cooperindustries.com)

Internet: [www.mtl-inst.com](http://www.mtl-inst.com)

## ----- Summary Sheet -----

YZ Odorizer		August 10, 2011

Recommended Isolators for Use with YZ Odorizer installed in Div. 1 Area



**Note:**

1. All isolators require 24 VDC to T13 & T14
2. Analog Input = MTL5546  
 Discrete Input = MTL5526 (Dual channel)  
 Discrete Output = MTL 5516C (Dual Channel)